

Please make the following alterations to the User's Manual IM 04P01B01-02E.

Function Upgrades and Versions

The following functions have been added to the μR10000 Recorder.

Firmware Version	Added Functions
1.21	Calibration correction (/CC1 option), 24 V DC/AC power supply (/P1 option), and German and French language support.
1.31	Customized Menu, and Header printout (/BT1 option)

Page 5 Please note the addition of “MODEL and SUFFIX Code” (Underlined).

Suffix Code	-2	English / German / French & deg F / DST
Optional Code	<u>/CC1</u>	<u>Calibration correction</u>
	<u>/BT1</u>	<u>Header printout</u>
	<u>/P1</u>	<u>24-VDC/AC power supply</u>

Page 6 Please note the addition of “Recorder's Version and Functions Described in this Manual”

Version	Suffix Code	Added or Modified Functions
1.21	-2 /CC1	German and French can be used. Calibration correction
1.31	- /BT1	Customized Menu Header printout

Pages 13 and 15 Please note the addition of “Input Signal Wiring” and “Option Terminal Wiring”

CAUTION

- The input and option terminals of this instrument are specific to this instrument. Do not connect to the input terminals or option terminals of the μR1000, μR1800, or other models as malfunction can result.

Page 17 Please note the addition of “Power Supply Wiring”

WARNING

- Make sure to provide a power switch (double-pole type) on the power supply line in order to separate the recorder from the main power supply. Put an indication on this switch as the breaker on the power supply line for the recorder and indications of ON and OFF.

Switch specifications

Rated power current: 3 A or more (/P1 option)

Rated rush current: 70 A or more (/P1 option)

Complies with IEC 60947-1, 3.

- Connect a fuse in the power supply line.

Between 4 A and 15 A (/P1 option)

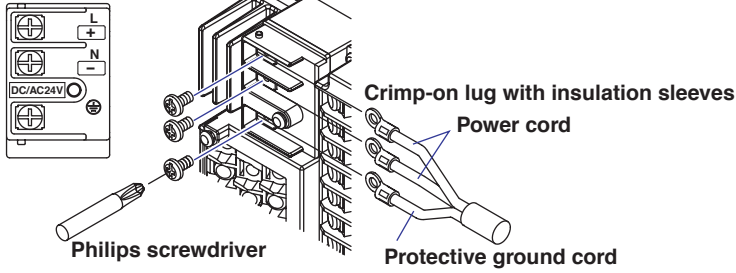
Use a fuse approved by CSA (for the use in North America) or VDE (for the use in Europe).

Use a power supply that meets the following specifications:

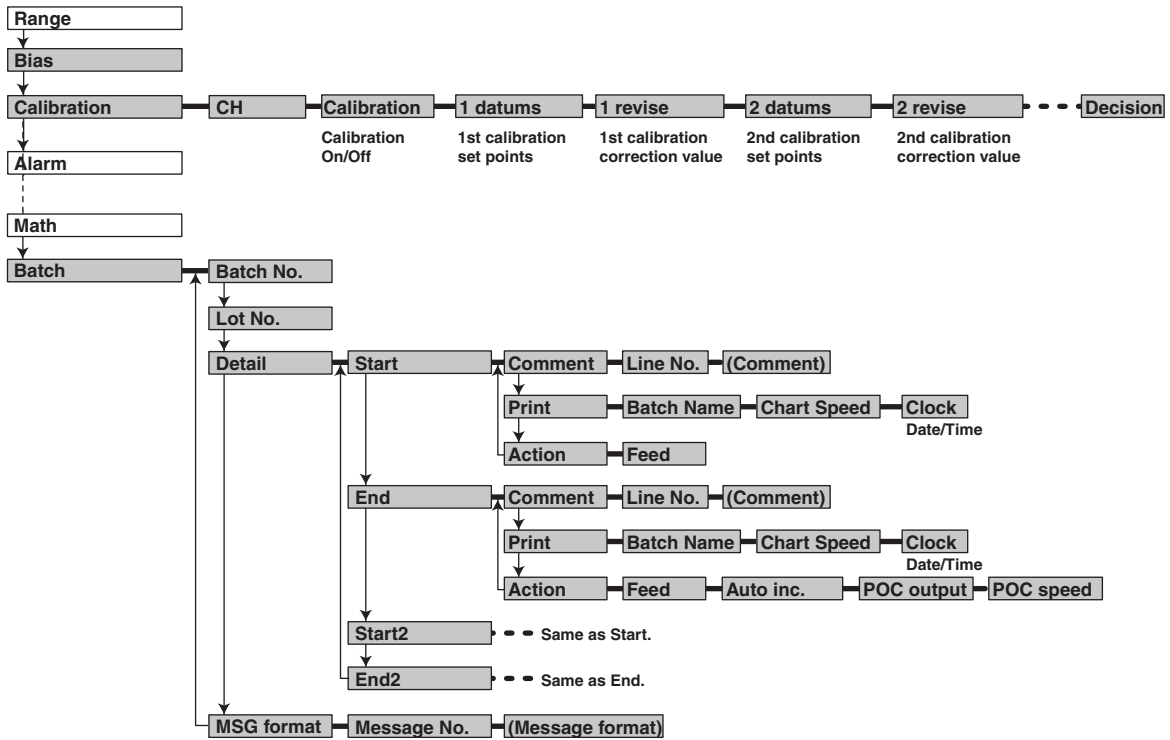
Item	Specifications (/P1 Option)
Rated supply voltage	24 VDC/AC
Allowable power supply voltage range	21.6 to 26.4 VDC/AC
Rated power supply frequency	50/60 Hz (for AC)
Allowable power supply frequency range	50/60 Hz ± 2% (for AC)
Maximum power consumption	25 VA (for DC), 35 VA (for AC)

Wiring Procedure

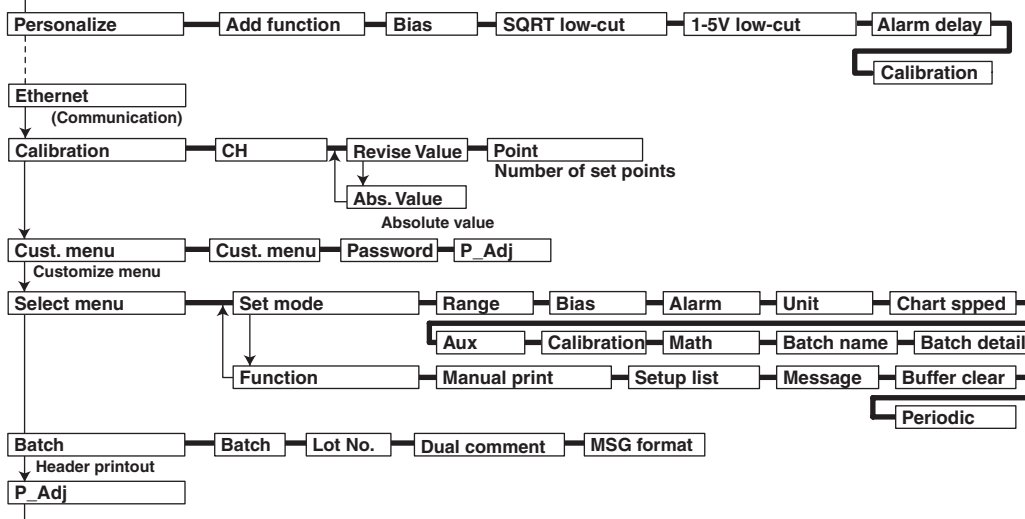
• /P1 (24-VDC/AC power supply)



Page 22 Please note the addition of calibration correction and header printout settings to “Menu Structure of Setting Mode.”



Page 23 Please note the addition of calibration correction, customized menu, and header printout settings to “Menu Structure of Basic Setting Mode.”



Page 46 Please note the addition of “Setup Items in Setting Mode and Their Default Values.”

Setup Item	Pen/Dot	Selectable Range or Selections	Default Value
Calibration > Channel	-	01 to 06	01
> Calibration	-	On/Off	Off
> datums, > revise	-	Corrected value*: 1 st point < 2 nd point ... < n th point (where n is the set point) * (Set point + calibration value) when using revise value and calibration value when using absolute value	
> Decision	-	Yes/No	Yes

Page 47 Please note the addition of “Setup Items in Setting Mode and Their Default Values.”

Setup Item	Pen/Dot	Selectable Range or Selections	Default Value
*Batch > Batch No	-	26 characters or less	Blank
*Batch > Lot No.	-	0-9999 or 0-999999	0
*Batch > Detail > Start > Comment > Line No.	-	1/2/3/4/5	1
*Batch > Detail > Start > Comment > Line No. > Comment	-	32 characters or less	Blank
*Batch > Detail > Start > Print > Batch Name	-	On/Off	On
*Batch > Detail > Start > Print > Chart Speed	-	On/Off	On
*Batch > Detail > Start > Print > Clock	-	On/Off	On
*Batch > Detail > Start > Action > Feed	-	0 to 50 mm	0 mm
*Batch > Detail > End > Comment > Line No.	-	1/2/3/4/5	1
*Batch > Detail > End > Comment > Line No. > Comment	-	32 characters or less	Blank
*Batch > Detail > End > Print > Batch Name	-	On/Off	On
*Batch > Detail > End > Print > Chart Speed	-	On/Off	On
*Batch > Detail > End > Print > Clock	-	On/Off	On
*Batch > Detail > End > Action > Feed	-	0 to 50 mm	0 mm
*Batch > Detail > End > Action > Auto inc.	-	On/Off	On
*Batch > Detail > End > Action > POC output	Pen Model	On/Off	Off
*Batch > Detail > End > Action > POC speed	Pen Model	C.Speed/450 mm h	C.Speed
*Batch > Detail > Start2 ... Same as Start			
*Batch > Detail > End2 ... Same as End			
*Batch > MSG format > Message No.	-	1/2/3/4/5	1
*Batch > MSG format > Message No. > (MSG format)	-	35 characters or less	H:M L16

Page 48 Please note the addition of the underlined text to “Setup Items in Basic Setting Mode and Their Default Values”

Setup Item	Pen/Dot	Selectable Range or Selections	Default Value
Language > Lang	-	English/German/French/Japanese	English
:			
Personalize > Add function > Calibration	-	<u>Not/Use</u>	<u>Use</u>

Remote control function (/R1 option)

Setup Item	Pen/Dot	Selectable Range or Selections	Default Value
Remote > Remote No.	-	1/2/3/4/5	1
Remote > Remote No. > No.	-	Record On Off /Chart speed/Time adjust/ Math start stop (/M1)/Math reset (/M1)/ Manual print/Alarm ACK/Message1/Message2/ Message3/Message4/Message5/ <u>Priority R_RCD (/BT1)/</u> <u>BatchCMT switch (/BT1)/None</u>	Record On/Off

/M1, /BT1: option

Page 49 Please note the addition of calibration correction, customized menu, and header printout settings to “Setup Items in Basic Setting Mode and Their Default Values”

Ethernet communication interface function (/C7 option)

:

Calibration Correction (/CC1 option)

Setup Item	Pen/Dot	Selectable Range or Selections	Default Value
Calibration > Channel	-	01 to 06	01
> Mode	-	Revise Value, Absolute Value	Revise Value
> Point	-	2 to 16	2

Customized Menu

Setup Item	Pen/Dot	Selectable Range or Selections	Default Value
Cust. menu > Cust. menu	-	Not/Use	Not
Cust. menu > Password	-	Numbers and spaces within 4 digits	Blank
Cust. menu > P_Adj	-	On/Off	Off
Select menu > Set mode > Range	-	On/Off	On
Select menu > Set mode > Bias	-	On/Off	On
Select menu > Set mode > Alarm	-	On/Off	On
Select menu > Set mode > Unit	-	On/Off	On
Select menu > Set mode > Chart speed	-	On/Off	On
Select menu > Set mode > Aux	-	On/Off	On
Select menu > Set mode > Calibration	-	On/Off	On
Select menu > Set mode > Math	-	On/Off	On
Select menu > Set mode > Batch name	-	On/Off	On
Select menu > Set mode > Batch detail	-	On/Off	On
Select menu > Function > Manual print	-	On/Off	On
Select menu > Function > Setup list	-	On/Off	On
Select menu > Function > Message	-	On/Off	On
Select menu > Function > Buffer clear	-	On/Off	On
Select menu > Function > Periodic	-	On/Off	On

Header Printout (/BT1 option)

Setup Item	Pen/Dot	Selectable Range or Selections	Default Value
Batch > Batch	-	Not/Use	Not
Batch > Lot No.	-	4/6/Not	4
Batch > Dual comment	-	Not/Use	Not
Batch > MSG format	-	Not/Use	Not